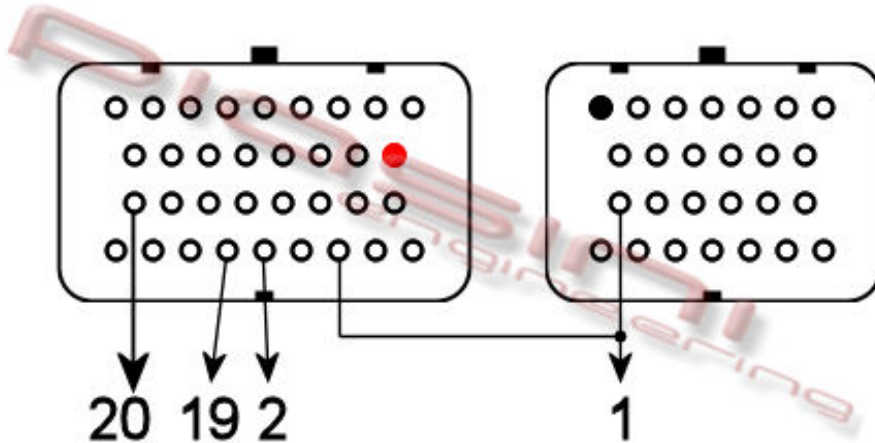


ECU Write:



Connect as below:

Serial Suite:

ECU Plug:

Red
Black

to
to

1 Pins Red (Power Supply +12 Volt)
1 Pins Black (Ground)

You have to connect the wire of flat cable like in the picture.

