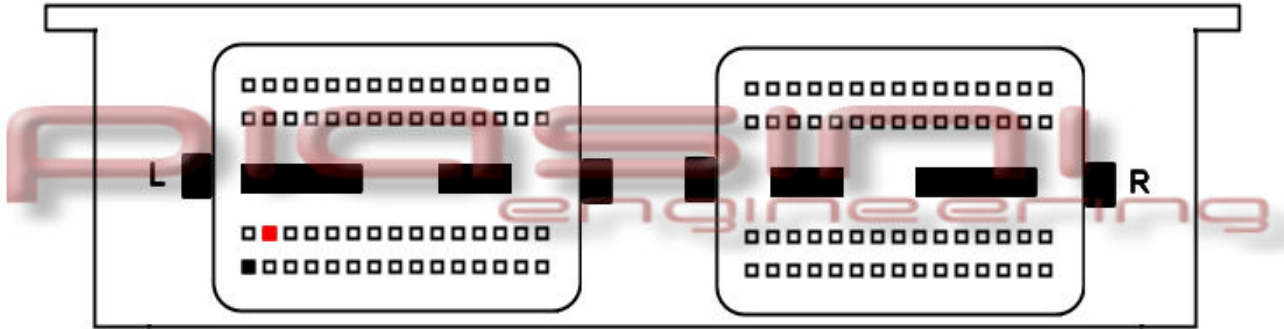


# PIASINI engineering



Connect as below:

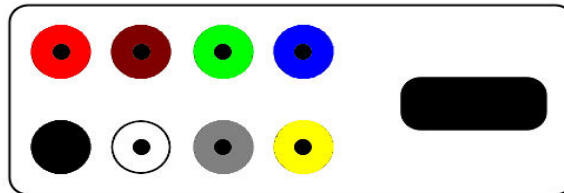
Serial Suite:

ECU Plug:

Red  
Black

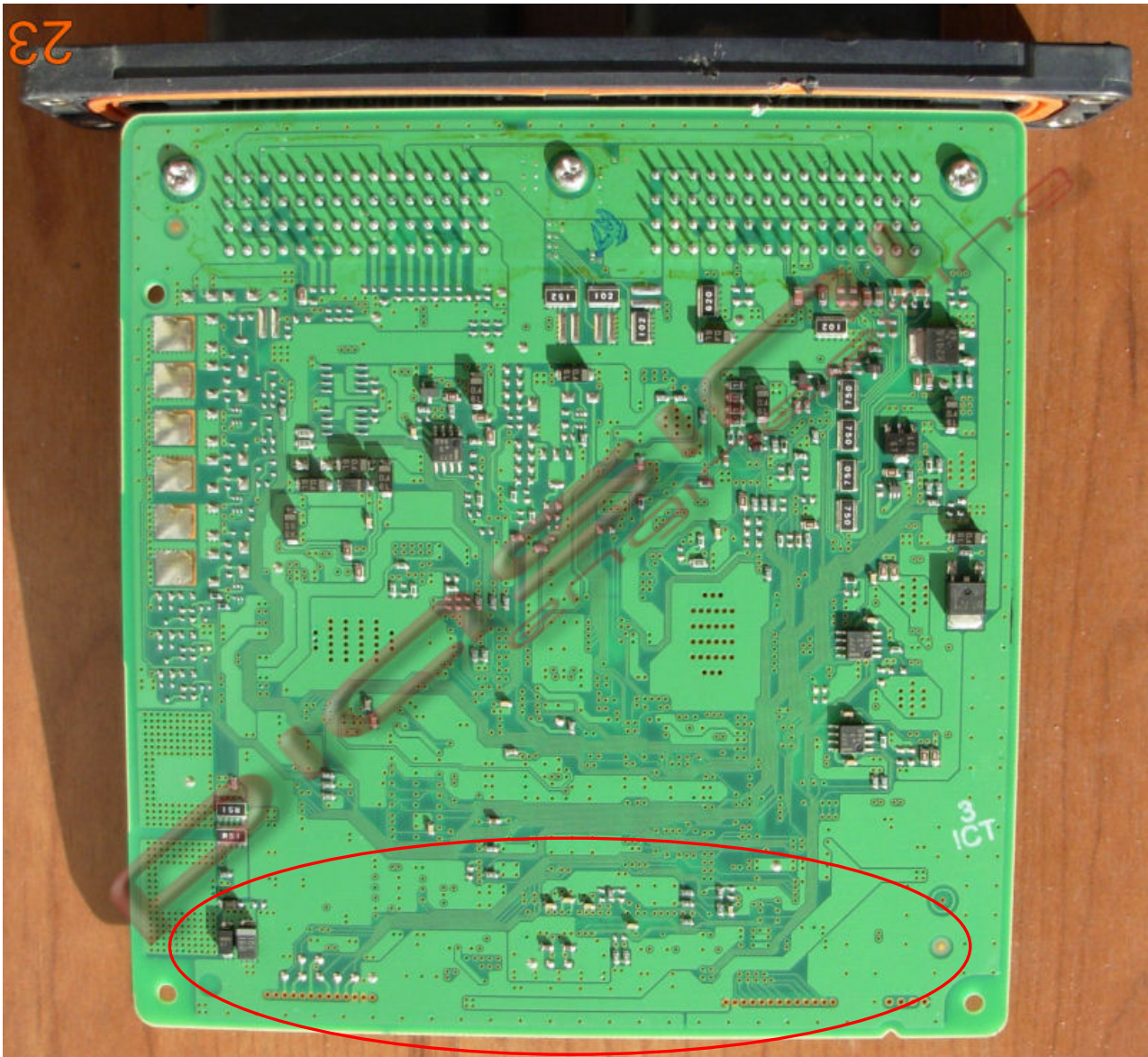
to  
to

1 Pins Red (Power Supply +12 Volt)  
1 Pins Black (Ground)

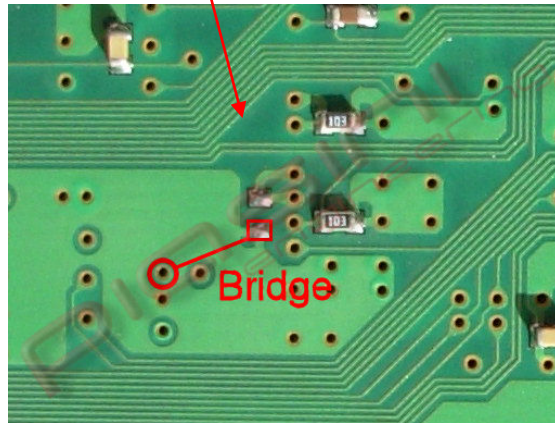
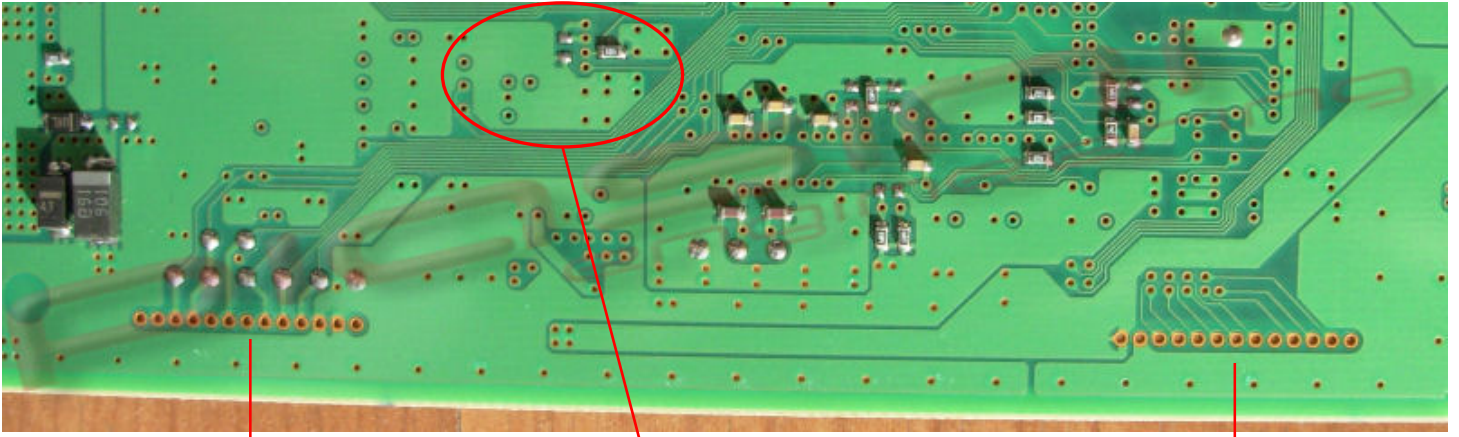


Where to connect the flat cable:

23



# READ the ECU:



□ □ 16 □ □ □ □ □ 19 2 □ □ □

1 20 3 11 15 14 13 12 □ 10 □ 5 □



Put a wire (**bridge**) like in the picture, then connect the flat cable pin following the number like in picture.



# WRITE the ECU:

You have to **remove the bridge used before**, and put another 2 wire(**Bridge**) like in the picture.

