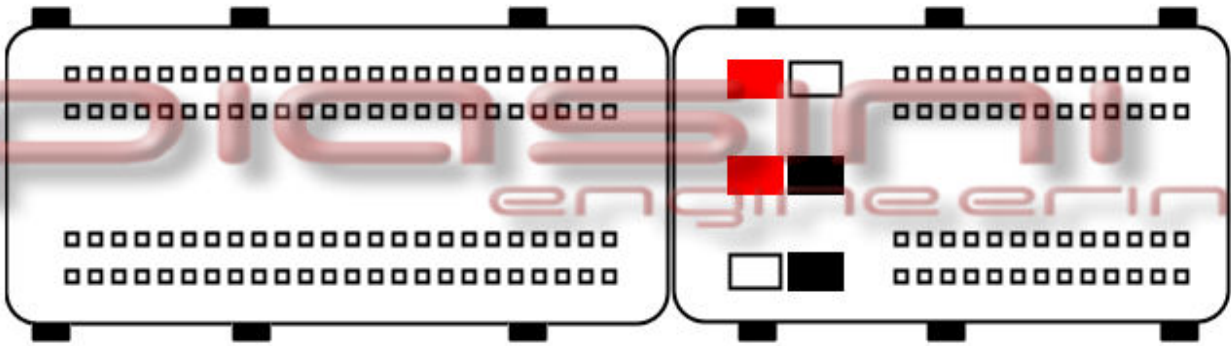


PIASINI engineering

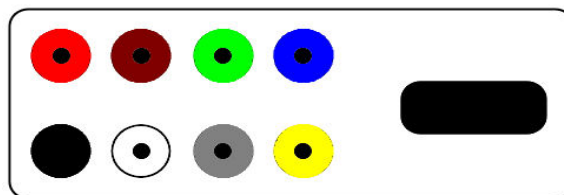


Connect as below:

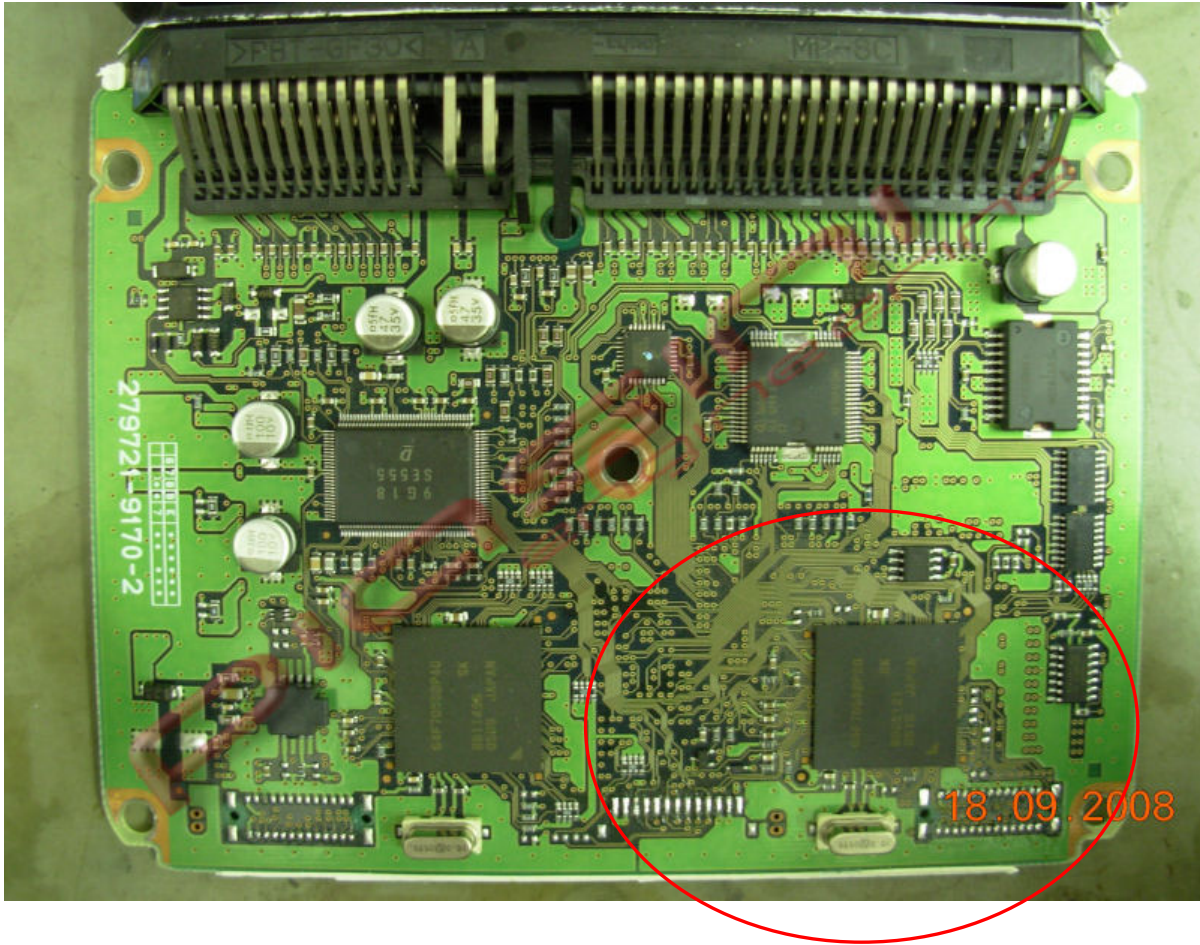
Serial Suite:

ECU Plug:

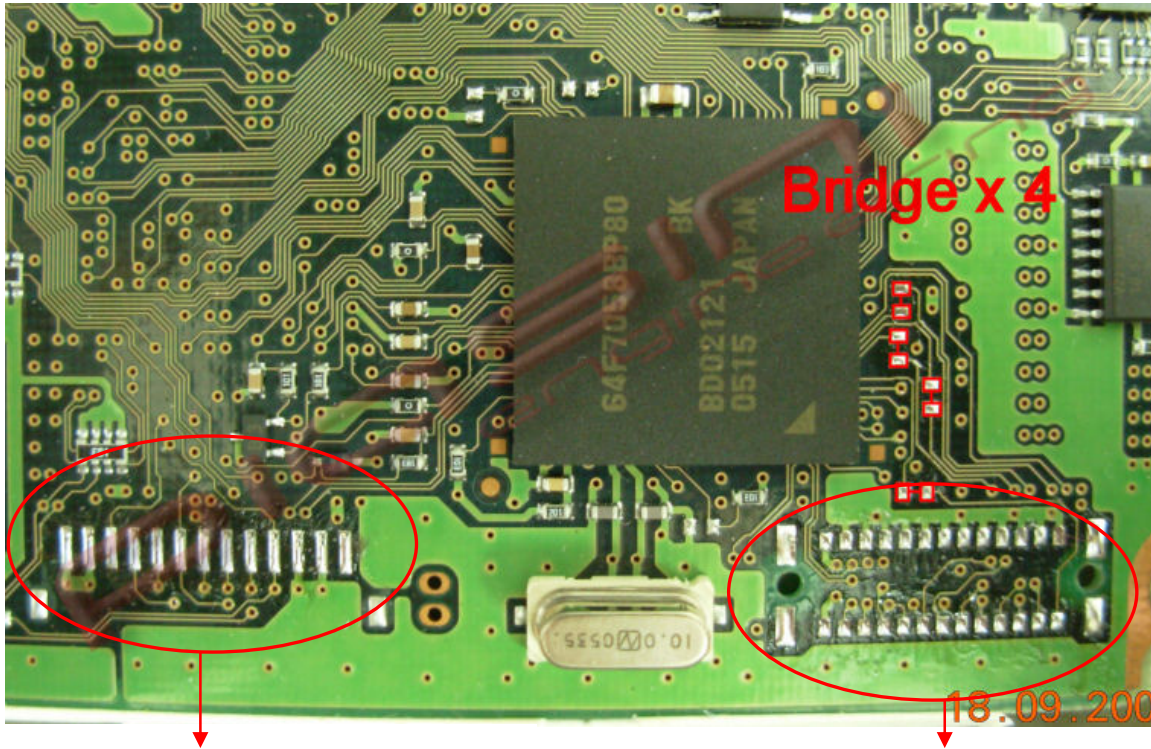
Red	to	2 Pins Red	(Power Supply +12 Volt)
Black	to	2 Pins Black	(Ground)



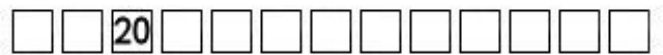
Where to connect the flat cable:



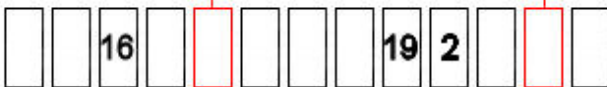
READ the ECU:



Bridge



Picture 1



1. Connet the flat cable following the number in the picture;
2. You have to put 5 wire (**bridge**) like in the picture.

WRITE the ECU:

You have to **remove 1 bridge used before** (picture 1), put other 2 wire(bridge) like in the picture, the **flat cable is still connect**.

